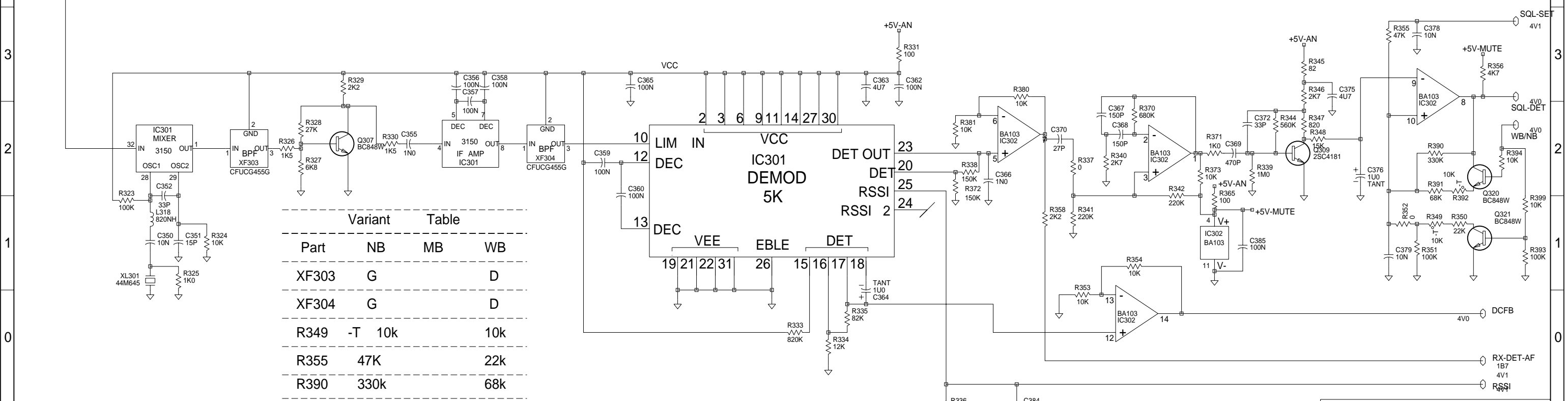
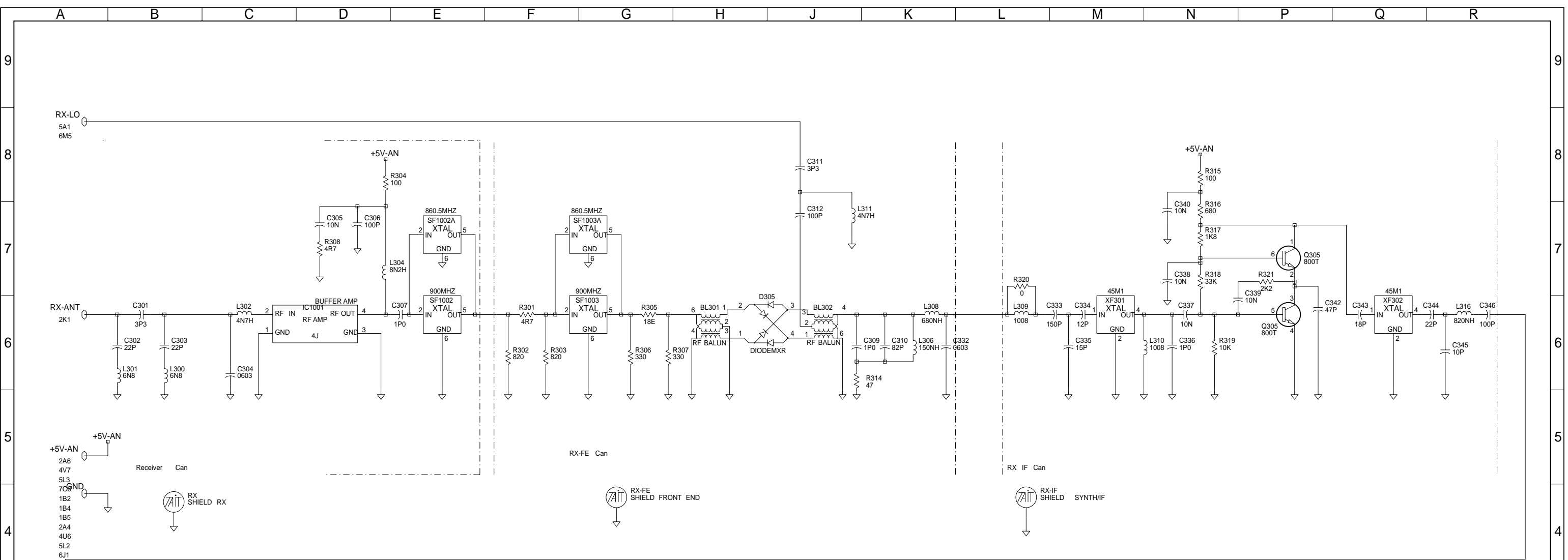


L121 L122 L123 150n 1008

© TAIT ELECTRONICS	
ORCA :TOP- POWER AMPLIFIER	900MHZ
IPN: 220-01610-02	ISSUE: A
DESIGNER: ORCA	FILE NAME: BRD
FILE DATE: 16/1002A	NO. SHEETS: 7

REV/ISS	AMENDMENTS	DRAWN	CHKD	D.O.	APVD	DATE
A						

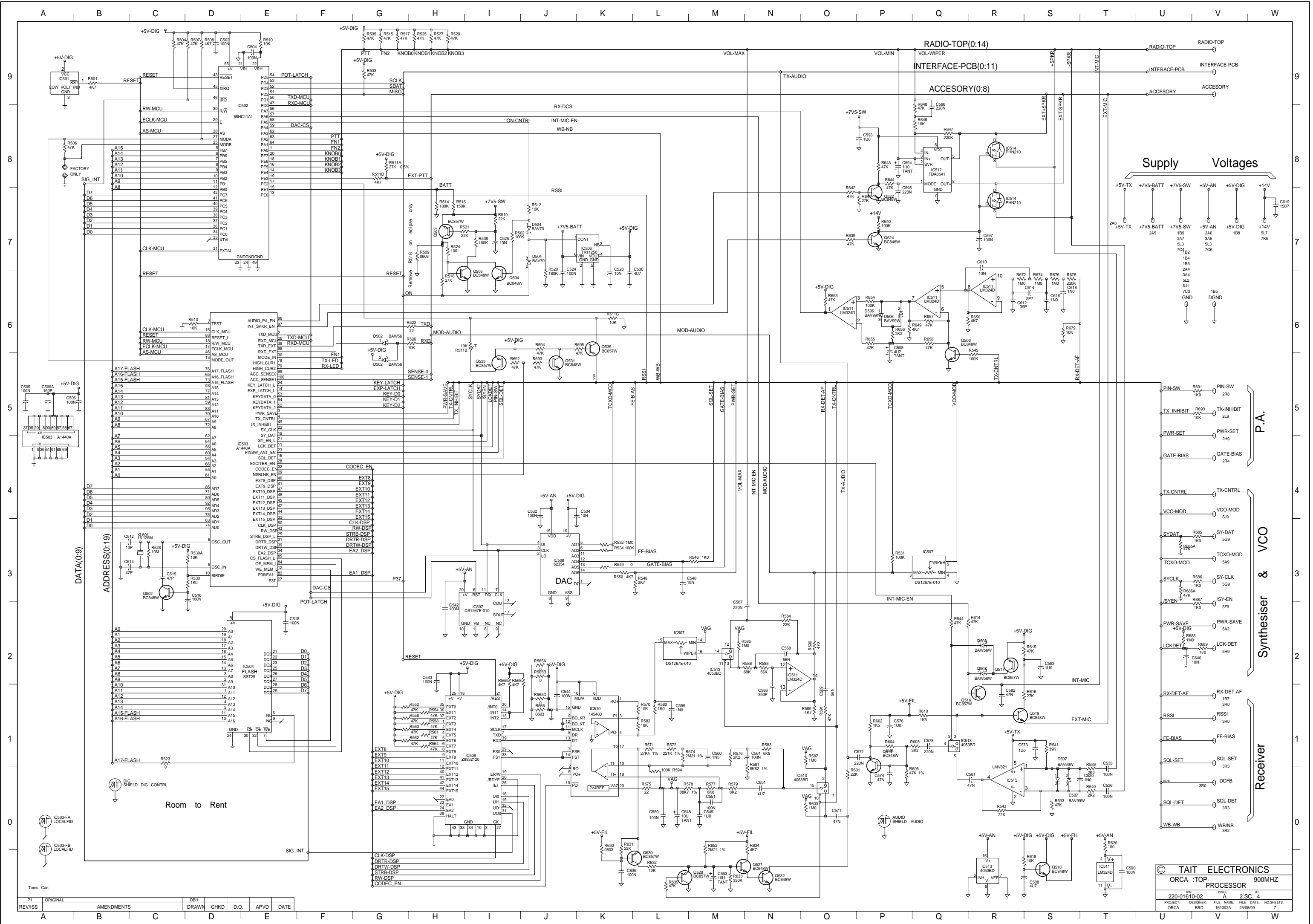


Variant Table

Part	NB	MB	WB
XF303	G		D
XF304	G		D
R349	-T 10k		10k
R355	47K		22k
R390	330k		68k
C370	27p		22P
C369	470p		330P

© TAIT ELECTRONICS
 ORCA :TOP- 900MHZ
 RECEIVER
 IPN: 220-01610-02 ISSUE: A ID: 2.S.C. 3
 PROJECT: ORCA BRD DESIGNER: 161002A FILE NAME: 23/08/99 NO.SHEETS: 7

REV/ISS	AMENDMENTS	DRAWN	CHKD	D.O.	APVD	DATE
A						



© TAIT ELECTRONICS
 ORCA :TOP- 900MHZ
 PROCESSOR
 220-01610-02 A 2-SC 4
 PRODUCT DESIGNER FILE NAME FILE DATE NO SHEETS
 ORCA BRD 161002A 23/09/99 7

REV/ISS	ORIGINAL	AMENDMENTS	DBH	DRAWN	CHKD	D.O.	APV/D	DATE
A								

Toms Can

IC503-FA LOCALFID
 IC503-FB LOCALFID

Room to Rent

DIG SHIELD DIG CONTRL

IC504 FLASH SS329

IC502 68HC11A1

IC503 A1440A

IC507 DS1267E-010

IC511 LM324D

IC514 PHN210

IC515 LM324D

IC516 LM324D

IC517 LM324D

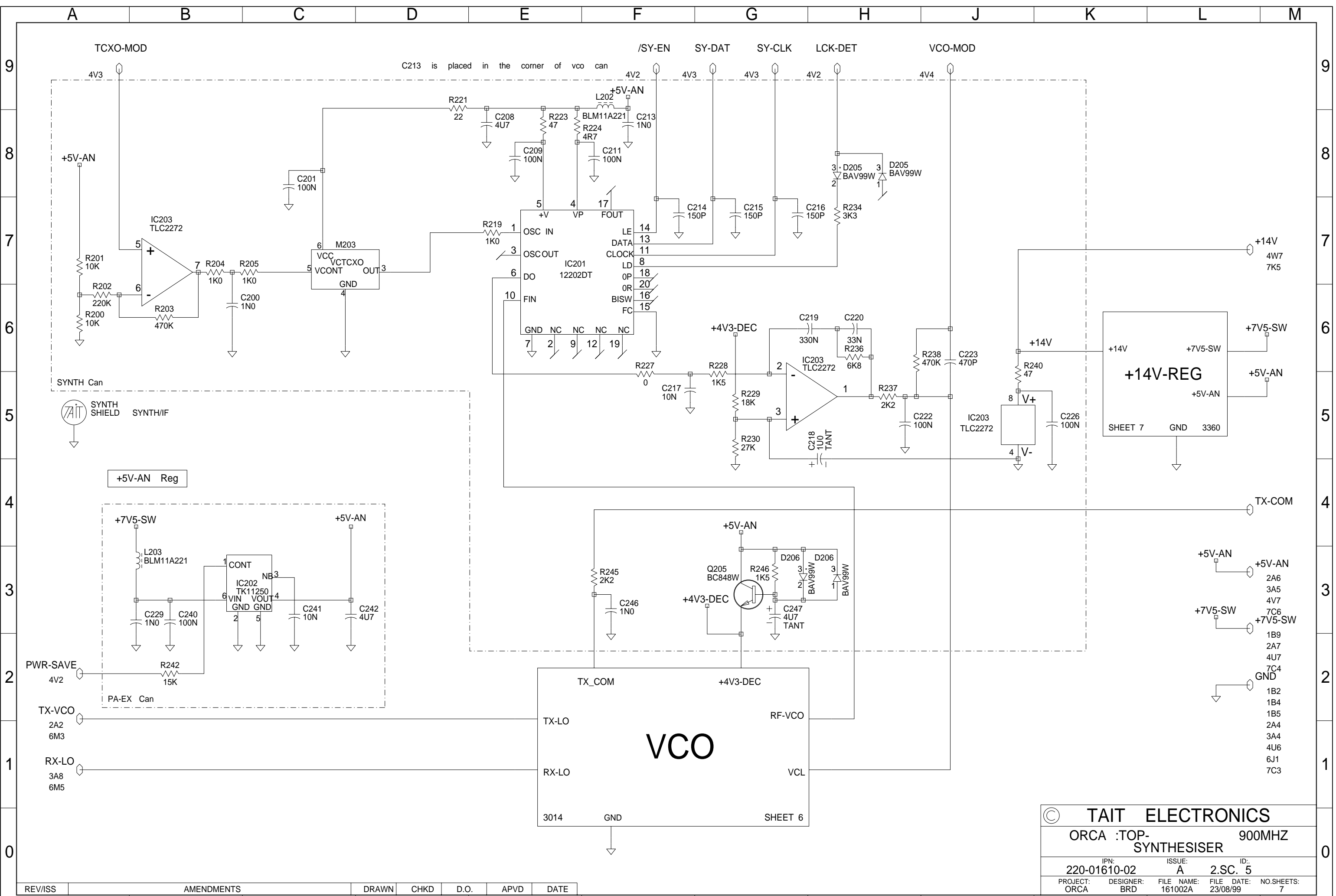
IC518 LM324D

IC519 LM324D

IC520 LM324D

IC521 LM324D

IC522 LM324D



© TAIT ELECTRONICS
 ORCA :TOP- 900MHZ
 SYNTHESISER
 IPN: 220-01610-02 ISSUE: A ID: 2.SC. 5
 PROJECT: ORCA DESIGNER: BRD FILE NAME: 161002A FILE DATE: 23/08/99 NO.SHEETS: 7

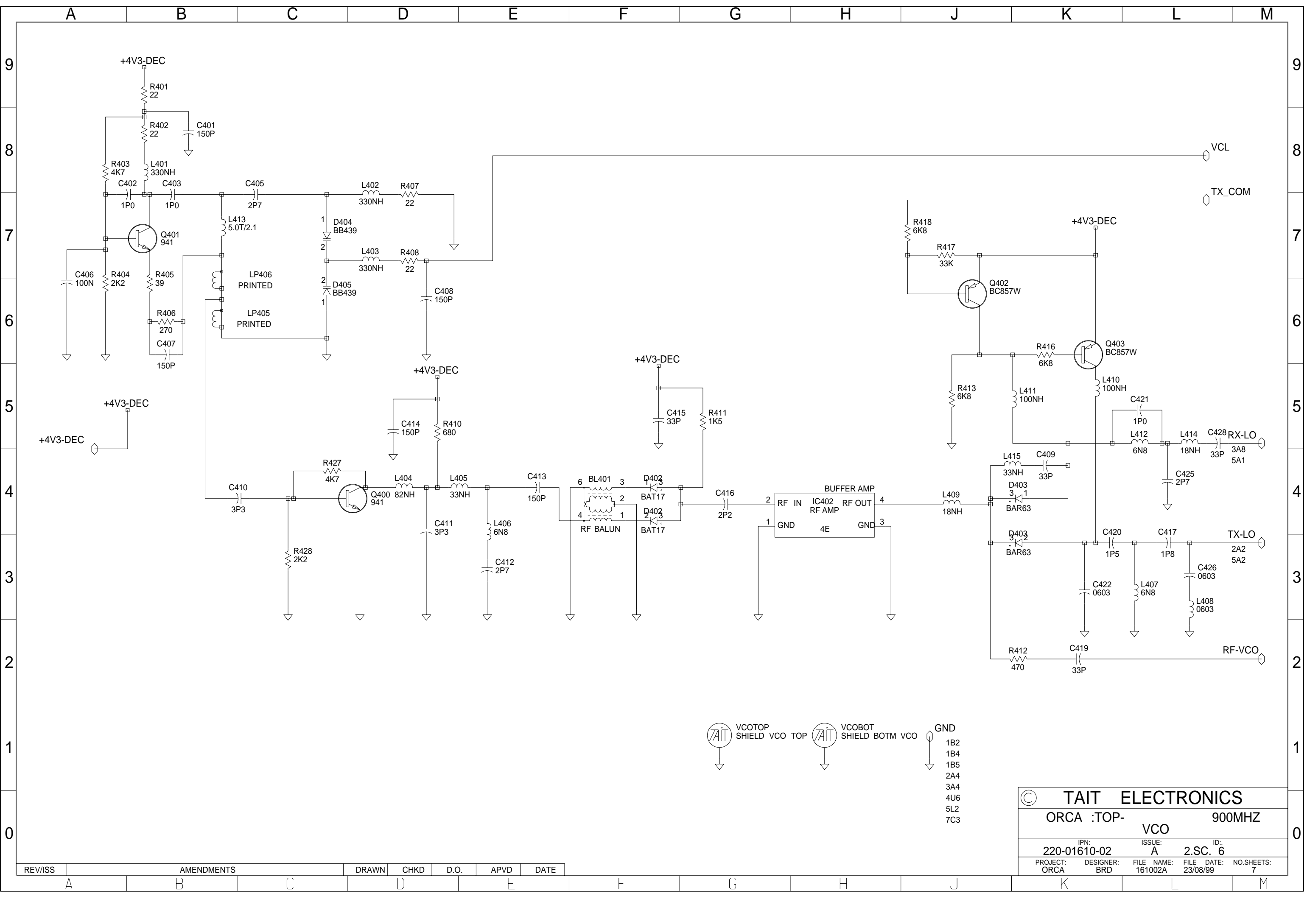
REV/ISS	AMENDMENTS	DRAWN	CHKD	D.O.	APVD	DATE

VCO
 3014 GND SHEET 6

+14V-REG
 SHEET 7 GND 3360

+5V-AN Reg
 PA-EX Can

SYNTH Can
 SYNTH SHIELD SYNTH/IF

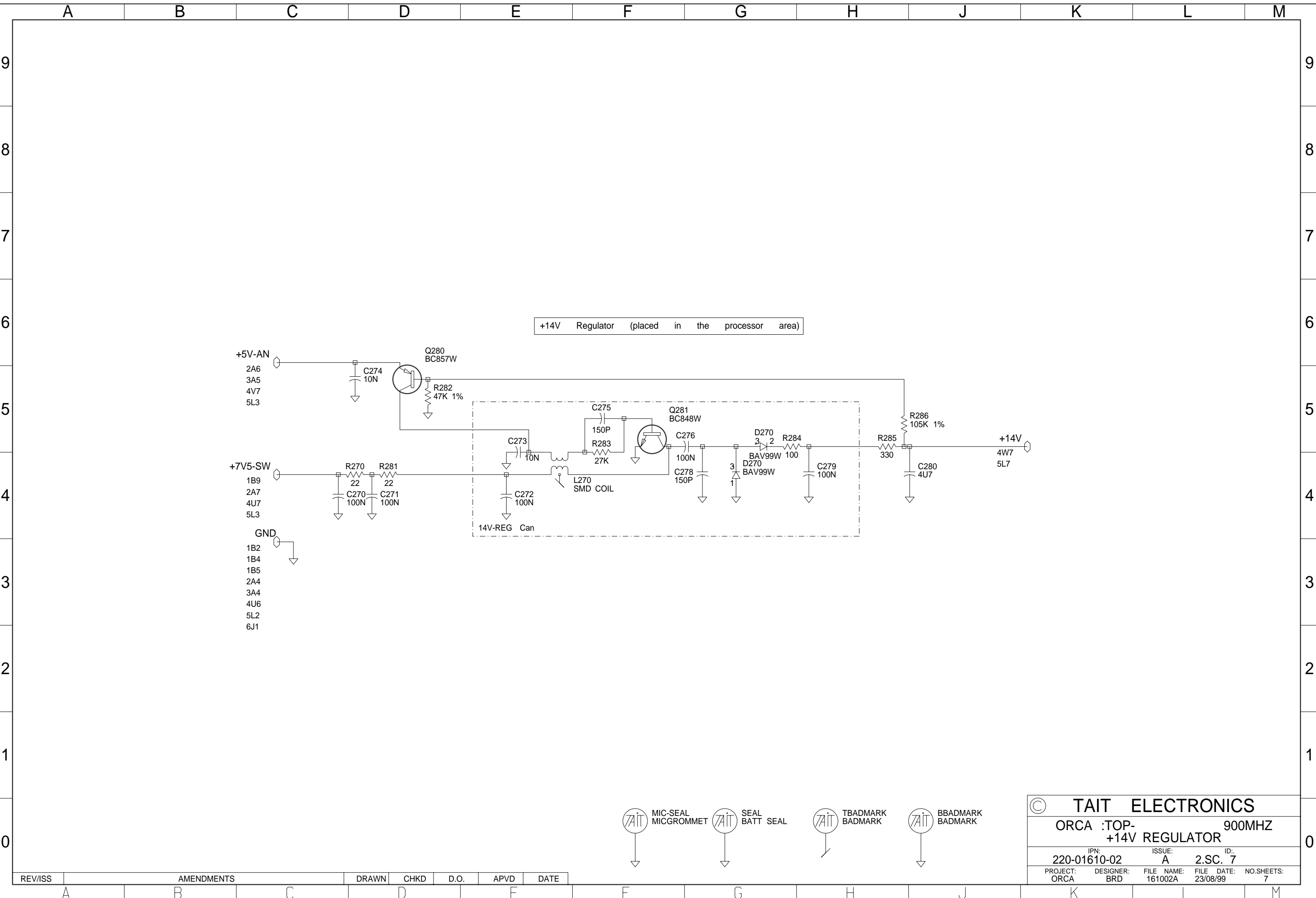


VCOTOP SHIELD VCO TOP
 VCOBOT SHIELD BOTM VCO
 GND

- 1B2
- 1B4
- 1B5
- 2A4
- 3A4
- 4U6
- 5L2
- 7C3

© TAIT ELECTRONICS
 ORCA :TOP- VCO 900MHZ
 IPN: 220-01610-02 ISSUE: A ID: 2.SC. 6
 PROJECT: ORCA DESIGNER: BRD FILE NAME: 161002A FILE DATE: 23/08/99 NO.SHEETS: 7

REV/ISS	AMENDMENTS	DRAWN	CHKD	D.O.	APVD	DATE



+14V Regulator (placed in the processor area)

- MIC-SEAL MICGROMMET
- SEAL BATT SEAL
- TBADMARK BADMARK
- BBADMARK BADMARK

© TAIT ELECTRONICS				
ORCA :TOP-		900MHZ		
+14V REGULATOR				
IPN:	ISSUE:	ID:		
220-01610-02	A	2.SC. 7		
PROJECT:	DESIGNER:	FILE NAME:	FILE DATE:	NO.SHEETS:
ORCA	BRD	161002A	23/08/99	7

REV/ISS	AMENDMENTS	DRAWN	CHKD	D.O.	APVD	DATE